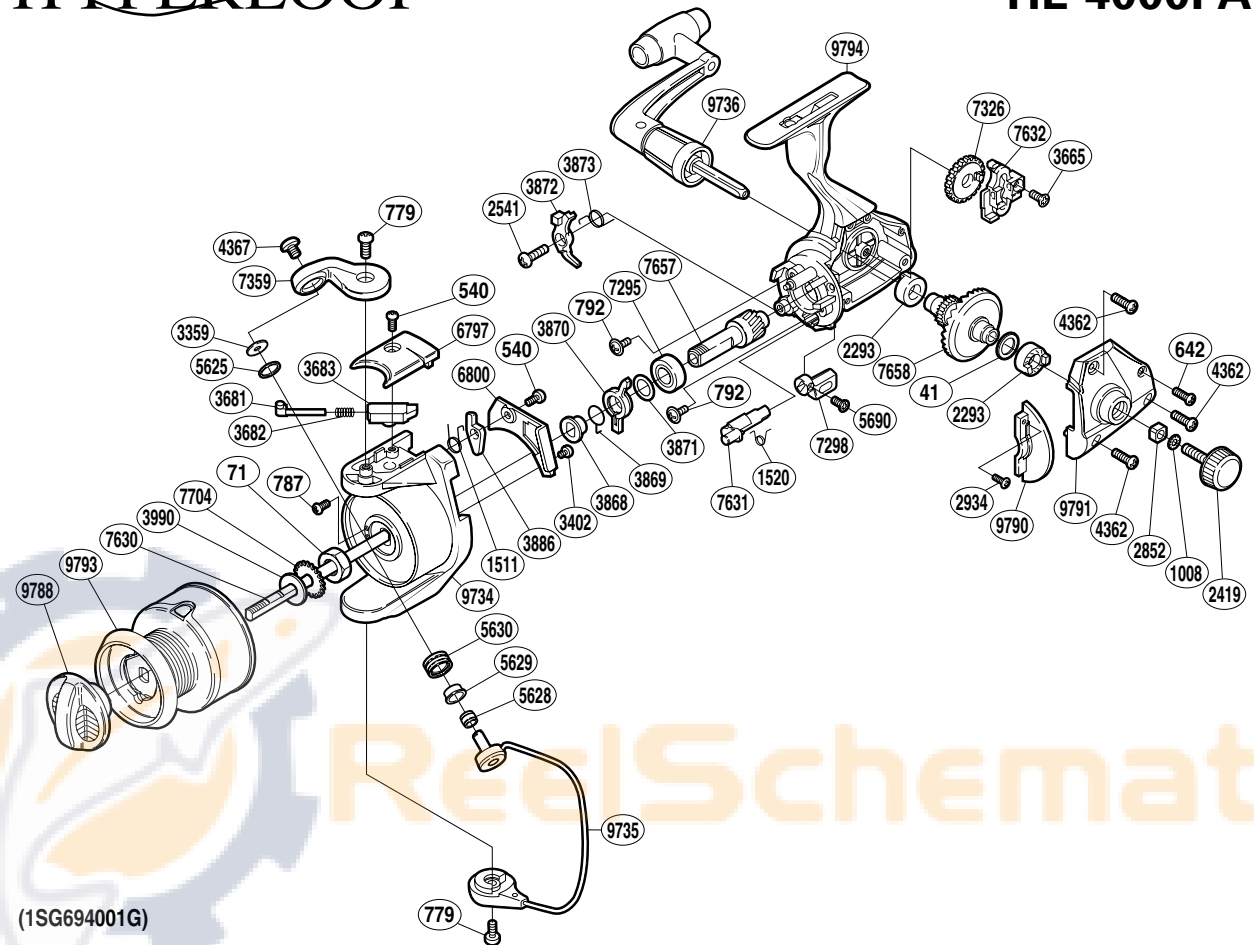


SHIMANO®

HYPERLOOP

HL-4000FA



Part No.	Description	Part No.	Description	Part No.	Description
RD 0041	Washer	RD 3682	Bail Spring	RD 7295	Ball Bearing
RD 0071	Rotor Nut	RD 3683	Bail Spring Guide B	RD 7298	Anti-Reverse Lever
RD 0540	Screw	RD 3868	Lock Out Spring Holder	RD 7326	Oscillating Gear
RD 0642	Screw	RD 3869	Anti-Reverse Lock Out Spring	RD 7359	Bail Arm
RD 0779	Screw	RD 3870	Anti-Reverse Lock Out	RD 7630	Main Shaft
RD 0787	Screw	RD 3871	Washer	RD 7631	Anti-Reverse Cam
RD 0792	Screw	RD 3872	Anti-Reverse Pawl	RD 7632	Oscillating Slider
RD 1008	Handle Lock Washer	RD 3873	Anti-Reverse Pawl Spring	RD 7657	Pinion Gear
RD 1511	Lever Spring	RD 3886	Bail Trip Lever	RD 7658	Drive Gear
RD 1520	Anti-Reverse Cam Spring	RD 3990	Spool Washer	RD 7704	Spool Support
RD 2293	Drive Gear Bushing	RD 4362	Screw	RD 9734	Rotor
RD 2419	Handle Screw Cap	RD 4367	Screw	RD 9735	Bail Assembly
RD 2541	Screw	RD 5625	Line Roller Spacer	RD 9736	Handle Assembly
RD 2852	Handle Screw Lock	RD 5628	Line Roller Collar	RD 9788	Drag Knob
RD 2934	Screw	RD 5629	Line Roller Bushing	RD 9790	Side Cover Flange
RD 3359	Line Roller Washer	RD 5630	Line Roller	RD 9791	Side Cover
RD 3402	Cover Screw	RD 5690	Screw	RD 9793	Spool Assembly
RD 3665	Screw	RD 6797	Bail Spring Cover	RD 9794	Body
RD 3681	Bail Spring Guide A	RD 6800	Counterbalance Cover		